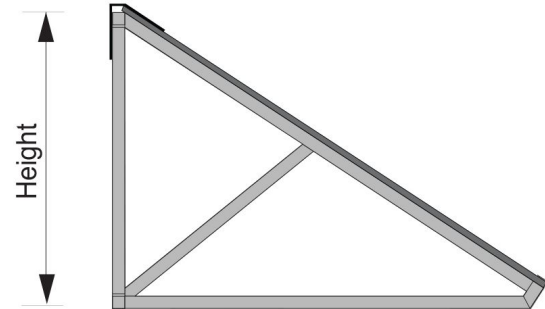
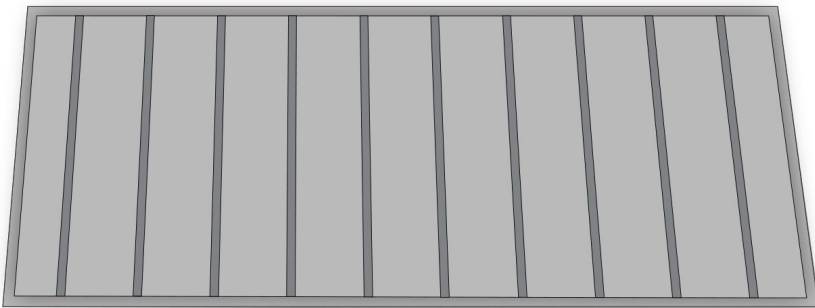
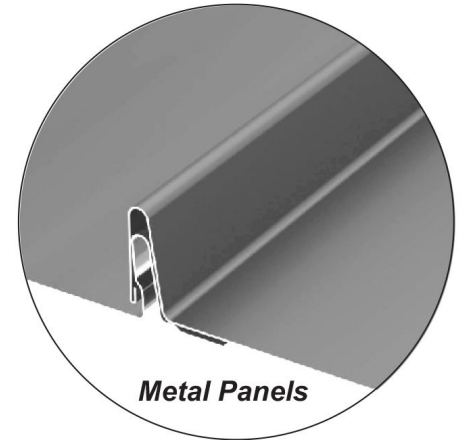


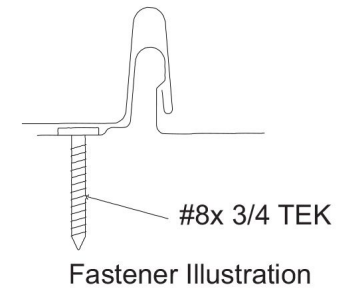
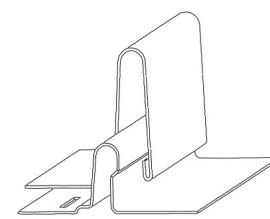
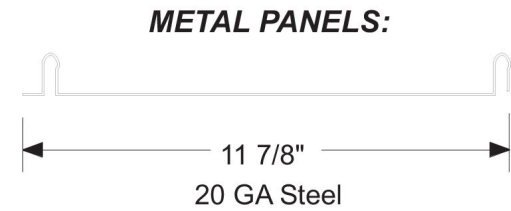
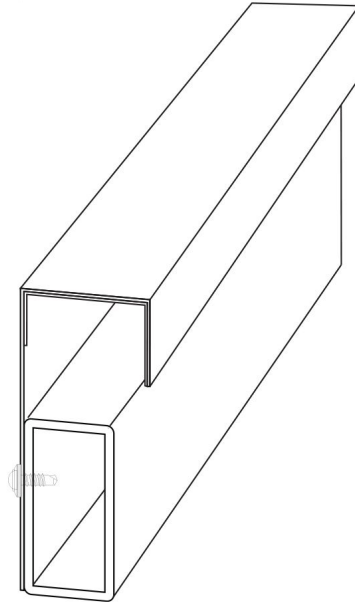
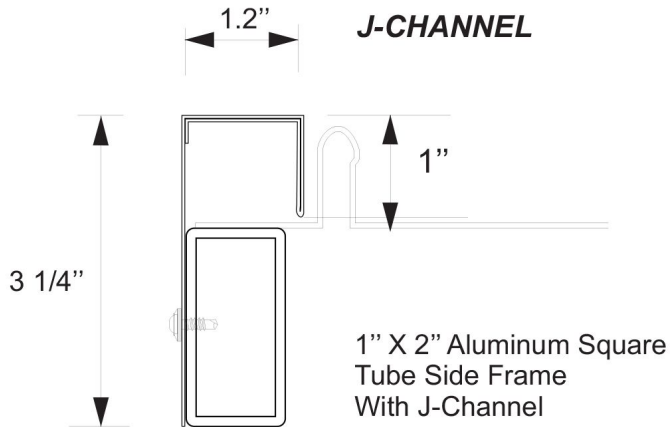
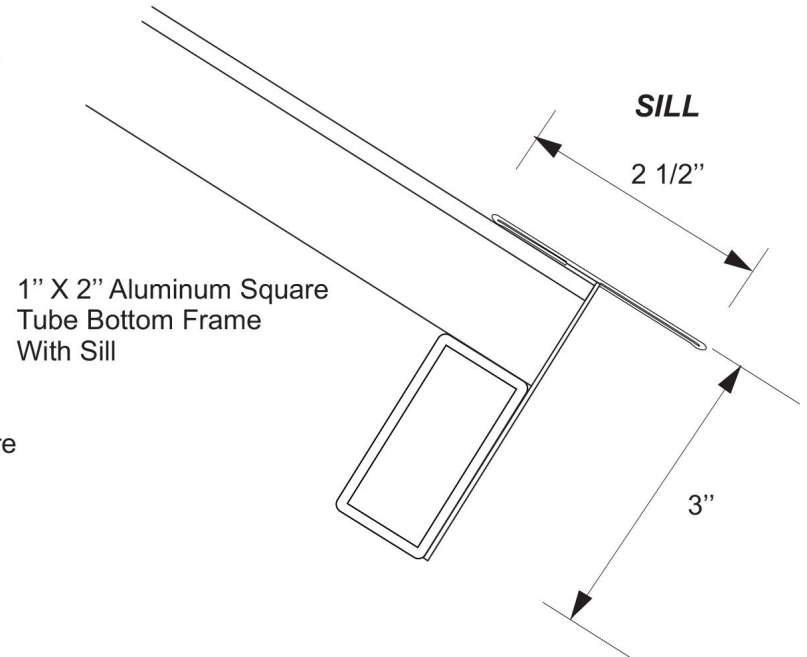
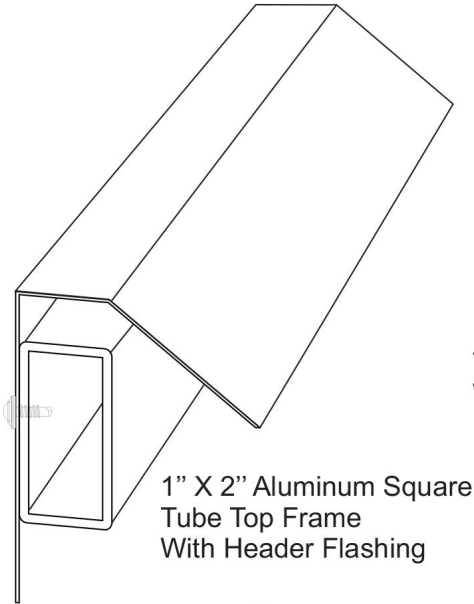
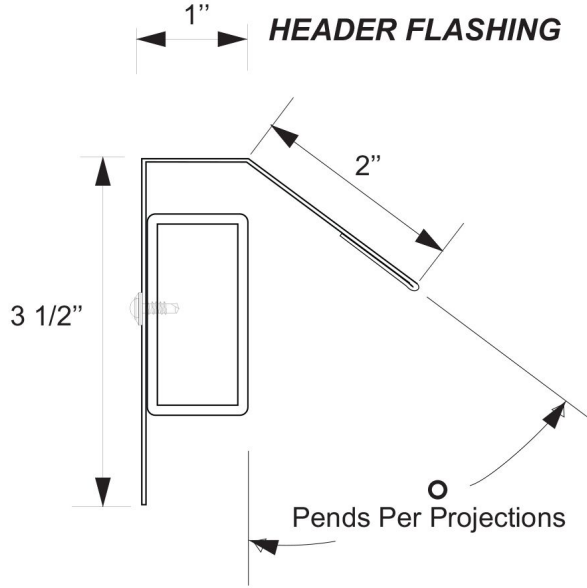
COLUMBUS AWNING STANDING SEAM AWNING SYSTEM



- ▲ Elevation Plan
- ▲ Cross Section
- ▲ Metal Panels
- ▲ Components
- ▲ Wall Attachments

PROJECT: _____ LOCATION: _____	DATE: _____ DESIGNER: _____	CANOPY TYPE DETAILS _____ _____	APPROVED <input type="checkbox"/> APPROVED WITH CORRECTIONS <input type="checkbox"/> NOT APPROVED RESUBMIT <input type="checkbox"/>
PROJECT MANAGER: _____ PROPOSED: _____	ENGINEER: _____ FILE FOLDER: _____ PAGE OF _____	_____ _____	SIGNATURE: _____

COLUMBUS AWNING STANDING SEAM AWNING SYSTEM COMPONENTS



PROJECT: _____
 LOCATION: _____
 PROJECT MANAGER: _____
 PROPOSED: _____

DATE: _____
 DESIGNER: _____
 ENGINEER: _____
 FILE FOLDER: _____
 PAGE OF _____

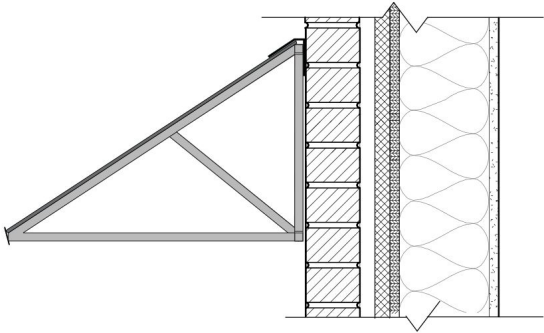
CANOPY TYPE DETAILS

APPROVED
 APPROVED WITH CORRECTIONS
 NOT APPROVED RESUBMIT

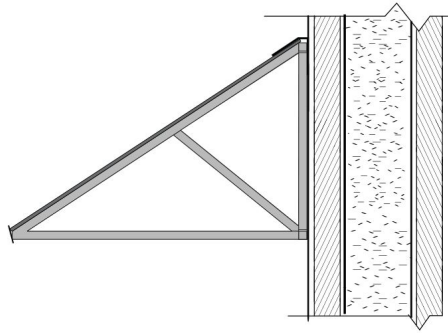
SIGNATURE: _____

COLUMBUS AWNING STANDING SEAM AWNING SYSTEM

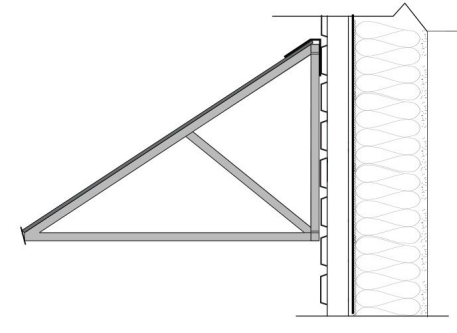
WALL ATTACHMENTS



BRICK/BLOCK

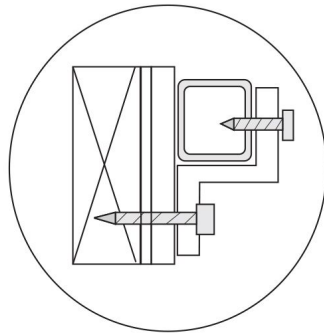


CMU WITH THRU BOLT



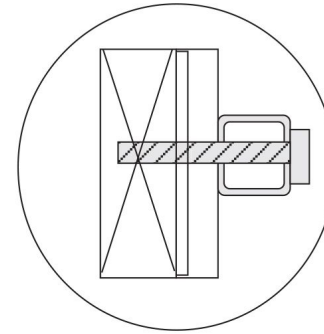
METAL BUILDING

TOP OF AWNING INSTALLATION



- Aluminum Frame
- 3/4" X #12 Tek Screws
- Efis Brackets
- 3/8" x 4" Wood Lags

BOTTOM OF AWNING INSTALLATION



- Aluminum Frame
- #12 Tek Screws

PROJECT: _____ LOCATION: _____ PROJECT MANAGER: _____ PROPOSED: _____	DATE: _____ DESIGNER: _____ ENGINEER: _____ FILE FOLDER: _____ PAGE OF _____	CANOPY TYPE DETAILS _____ _____ _____	APPROVED <input type="checkbox"/> APPROVED WITH CORRECTIONS <input type="checkbox"/> NOT APPROVED RESUBMIT <input type="checkbox"/> SIGNATURE: _____
--	--	--	---