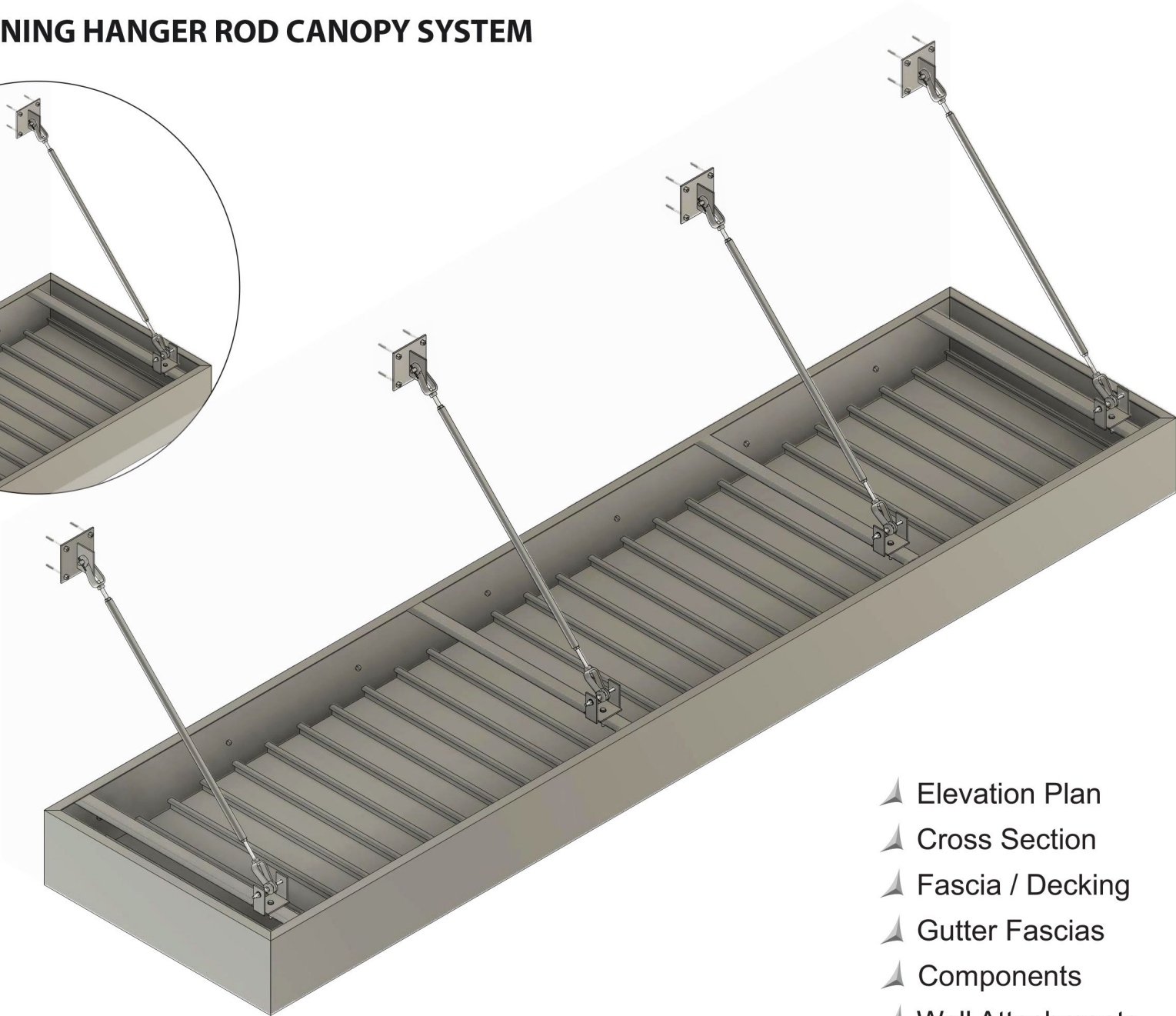


# COLUMBUS AWNING HANGER ROD CANOPY SYSTEM



- ▲ Elevation Plan
- ▲ Cross Section
- ▲ Fascia / Decking
- ▲ Gutter Fascias
- ▲ Components
- ▲ Wall Attachments



297 OLD COUNTY LINE RD  
WESTERVILLE, OHIO  
43081

614-426-4206

www.columbusawningcompany.com

PROJECT: \_\_\_\_\_  
 LOCATION: \_\_\_\_\_  
 PROJECT MANAGER: \_\_\_\_\_  
 PROPOSED: \_\_\_\_\_

DATE: \_\_\_\_\_  
 DESIGNER: \_\_\_\_\_  
 ENGINEER: \_\_\_\_\_  
 FILE FOLDER: \_\_\_\_\_  
 PAGE OF \_\_\_\_\_

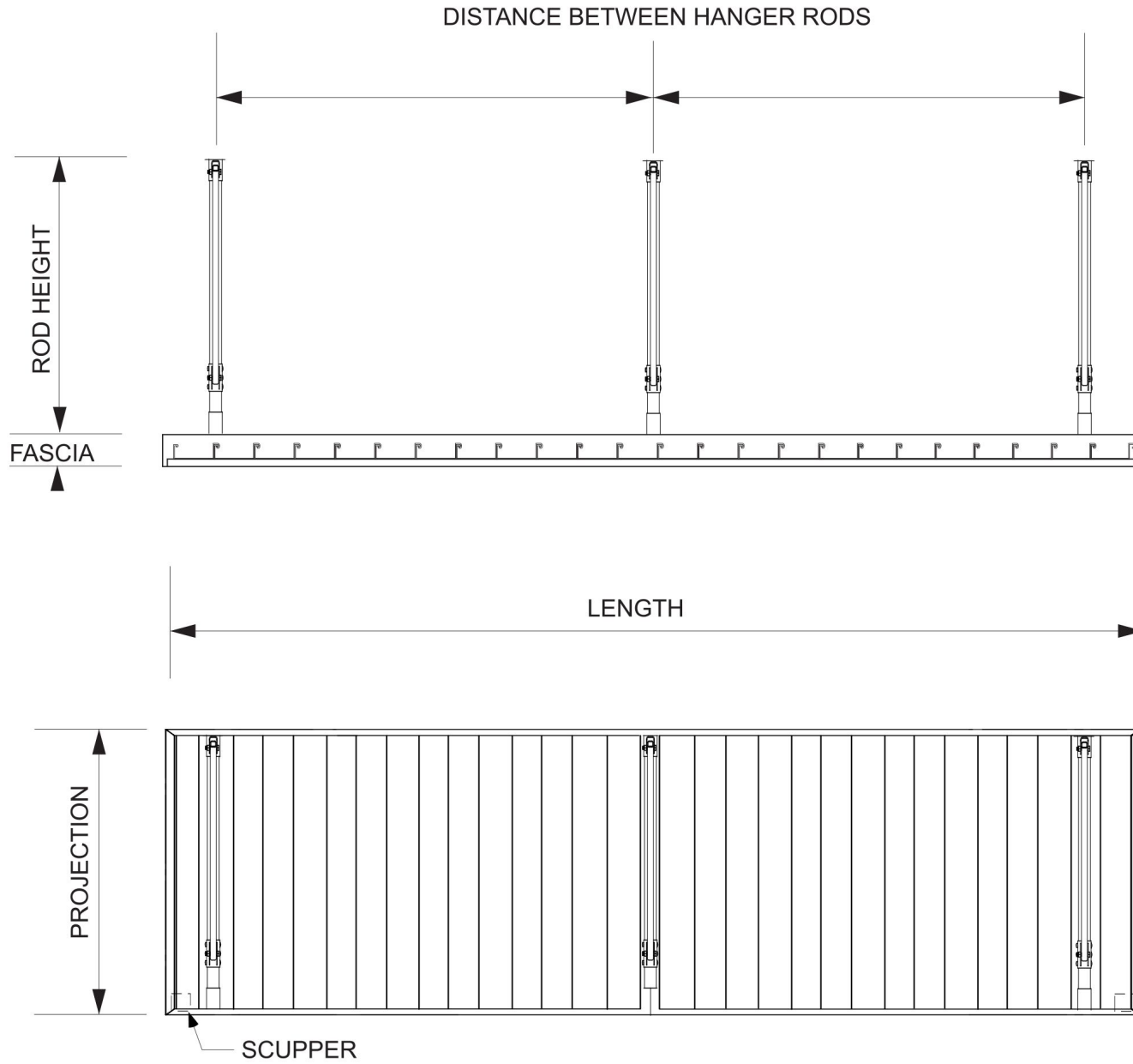
CANOPY TYPE DETAILS

\_\_\_\_\_  
 \_\_\_\_\_  
 \_\_\_\_\_  
 \_\_\_\_\_

APPROVED   
 APPROVED WITH CORRECTIONS   
 NOT APPROVED RESUBMIT

SIGNATURE: \_\_\_\_\_

**HANGER ROD CANOPY**  
ELEVATION PLAN



PROJECT: \_\_\_\_\_  
 LOCATION: \_\_\_\_\_  
 PROJECT MANAGER: \_\_\_\_\_  
 PROPOSED: \_\_\_\_\_

DATE: \_\_\_\_\_  
 DESIGNER: \_\_\_\_\_  
 ENGINEER: \_\_\_\_\_  
 FILE FOLDER: \_\_\_\_\_  
 PAGE OF \_\_\_\_\_

CANOPY TYPE DETAILS

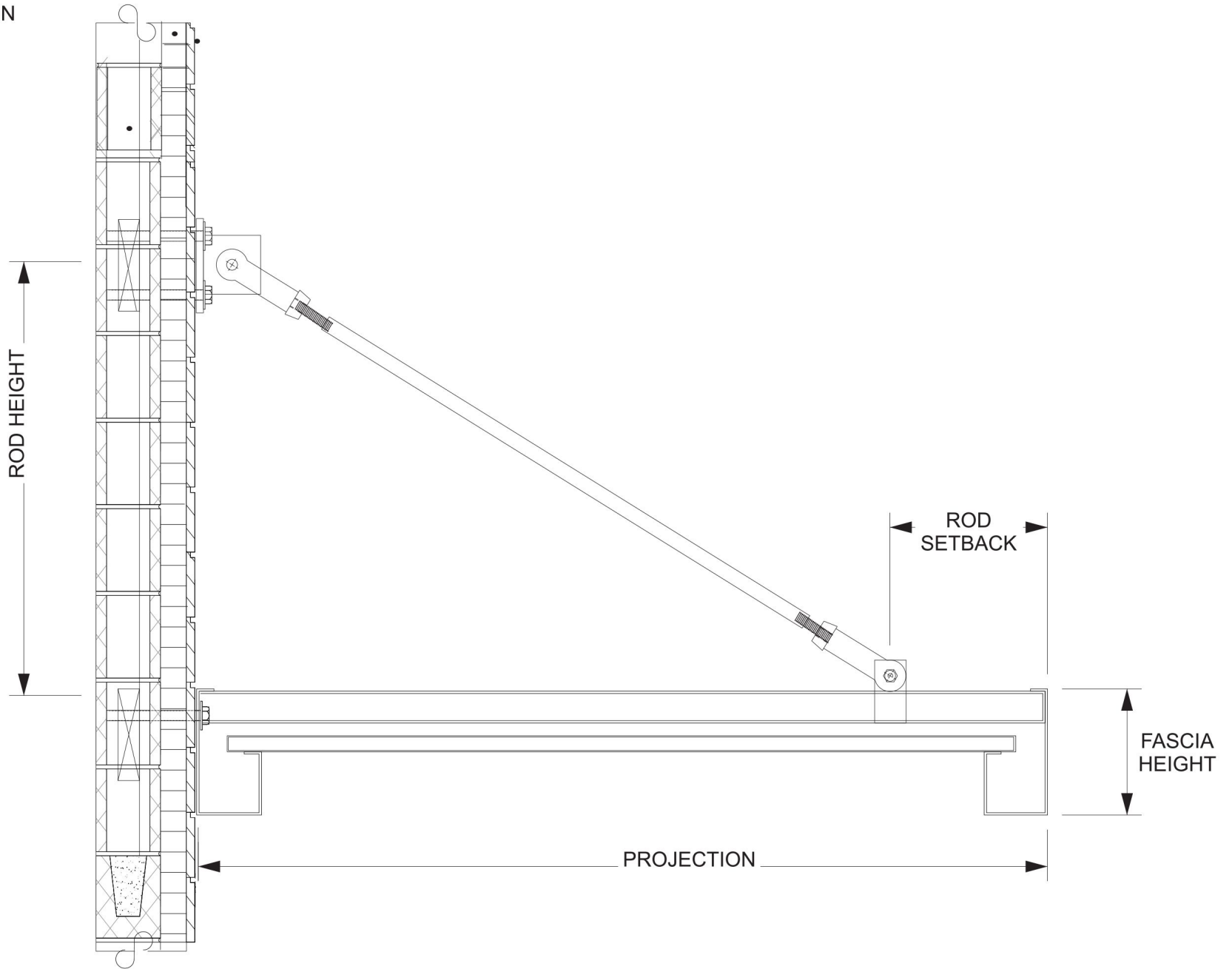
\_\_\_\_\_  
 \_\_\_\_\_  
 \_\_\_\_\_  
 \_\_\_\_\_

APPROVED   
 APPROVED WITH CORRECTIONS   
 NOT APPROVED RESUBMIT

SIGNATURE: \_\_\_\_\_

# HANGER ROD CANOPY

CROSS SECTION



297 OLD COUNTY LINE RD  
WESTERVILLE, OHIO  
43081

614-426-4206

www.columbusawningcompany.com

<p>PROJECT: _____ LOCATION: _____</p>	<p>DATE: _____ DESIGNER: _____ ENGINEER: _____</p>	<p>CANOPY TYPE DETAILS _____ _____ _____</p>	<p>APPROVED <input type="checkbox"/> APPROVED WITH CORRECTIONS <input type="checkbox"/> NOT APPROVED RESUBMIT <input type="checkbox"/></p>
<p>PROJECT MANAGER: _____ PROPOSED: _____</p>	<p>FILE FOLDER: _____ PAGE OF _____</p>		<p>SIGNATURE: _____</p>

FLAT STANDARD (.081)



ROLL FORMED (GAUGE VARIES)



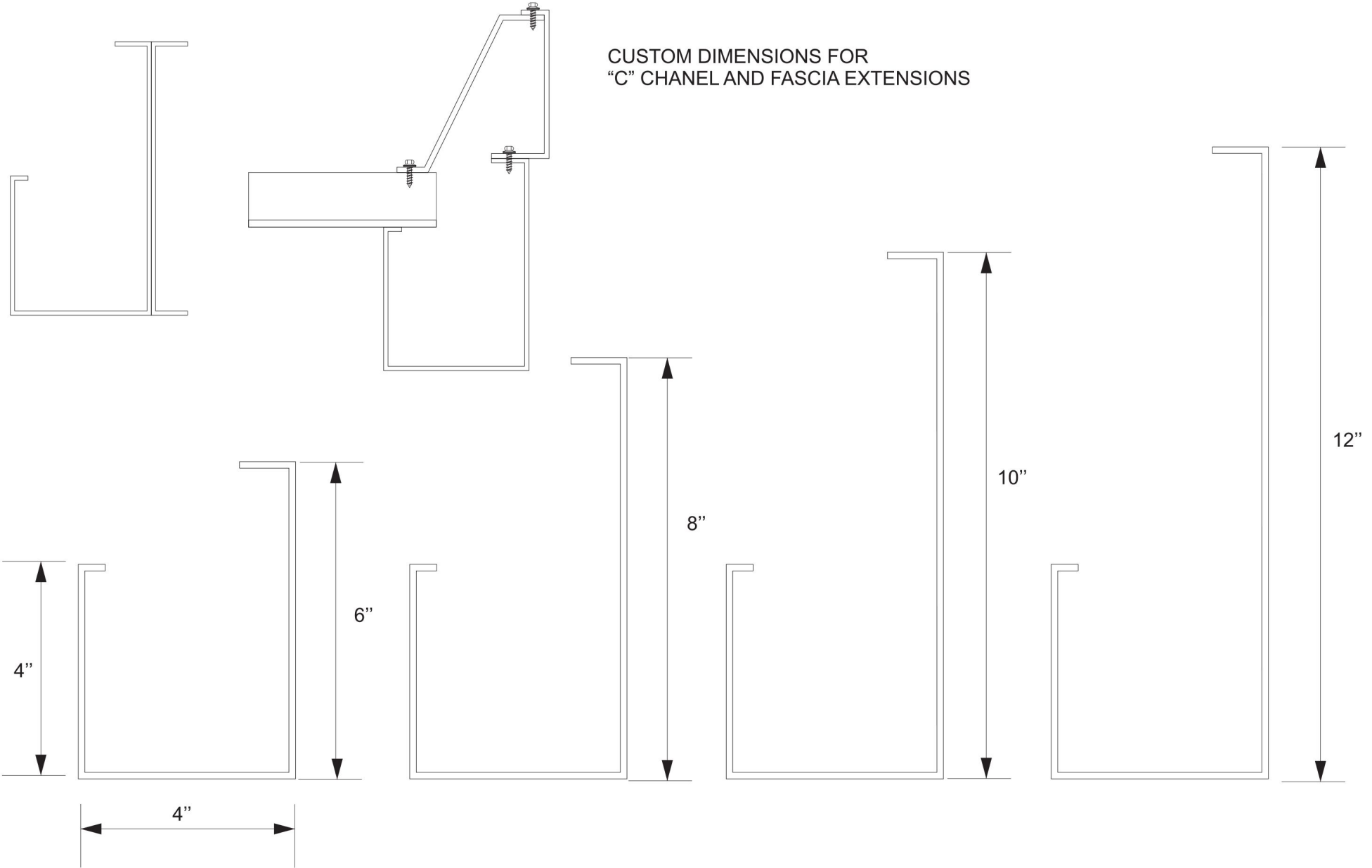
CAP AND PAN



PROJECT: _____ LOCATION: _____	DATE: _____ DESIGNER: _____	CANOPY TYPE DETAILS _____ _____ _____	APPROVED <input type="checkbox"/> APPROVED WITH CORRECTIONS <input type="checkbox"/> NOT APPROVED RESUBMIT <input type="checkbox"/>
PROJECT MANAGER: _____ PROPOSED: _____	ENGINEER: _____ FILE FOLDER: _____ PAGE OF _____		

**HANGER ROD CANOPY**  
GUTTER FASCIAS

CUSTOM DIMENSIONS FOR  
"C" CHANEL AND FASCIA EXTENSIONS



PROJECT: \_\_\_\_\_  
 LOCATION: \_\_\_\_\_  
 PROJECT MANAGER: \_\_\_\_\_  
 PROPOSED: \_\_\_\_\_

DATE: \_\_\_\_\_  
 DESIGNER: \_\_\_\_\_  
 ENGINEER: \_\_\_\_\_  
 FILE FOLDER: \_\_\_\_\_  
 PAGE OF \_\_\_\_\_

CANOPY TYPE DETAILS

\_\_\_\_\_  
 \_\_\_\_\_  
 \_\_\_\_\_  
 \_\_\_\_\_

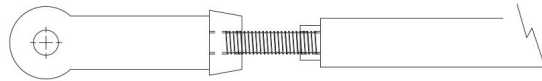
APPROVED   
 APPROVED WITH CORRECTIONS   
 NOT APPROVED RESUBMIT

SIGNATURE: \_\_\_\_\_

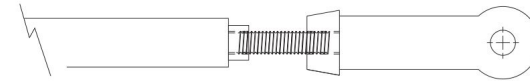
# HANGER ROD CANOPY

## COMPONENTS

RH CLEVICE



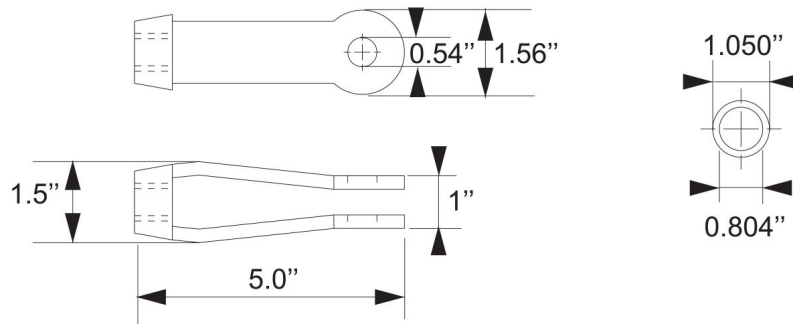
LH CLEVICE



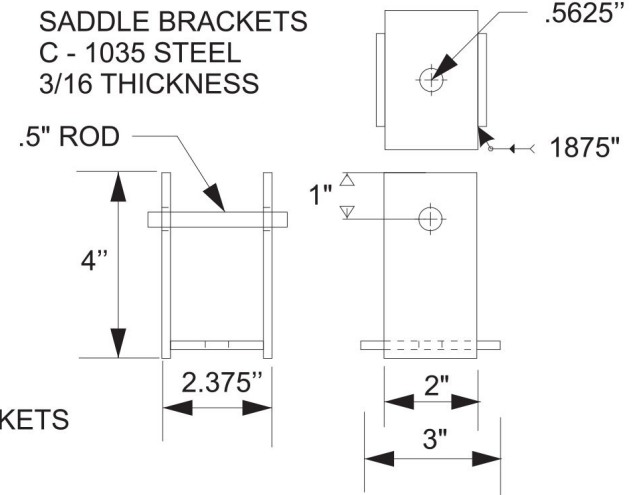
CLEVICES, CL2 (RIGHT AND LEFT)  
ASTM A668, C-1035 STEEL  
3,500 LBS CAPACITY  
1/2" UNC THREAD

SUPPORT RODS  
ASTM A500 3/4" SCHEDULE 40  
45,000 LBS  
TENSILE STRENGTH, YIELD

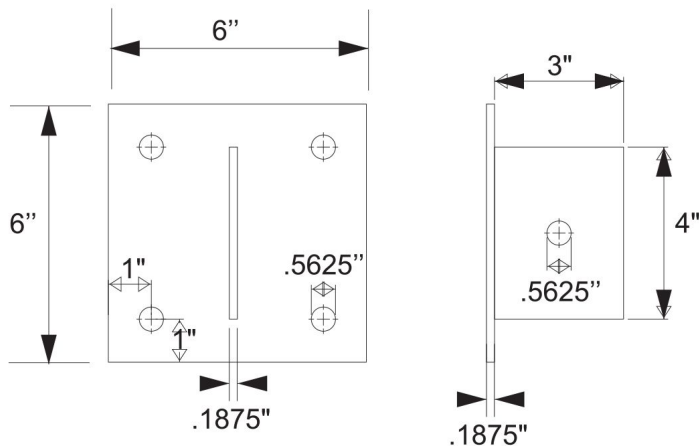
1/2" THREADED ROD UUNC  
ASTM A307 OR A108 GRADE B  
47,000 LBS  
TENSILE STRENGTH, YIELD



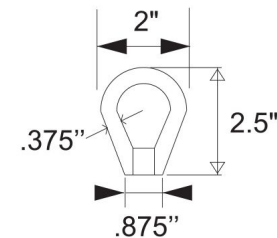
SURFACE WALL MOUNTING BRACKETS  
C 1035 STEEL  
3,000 LBS CAPACITY



THROUGH BOLT BRACKETS  
C 1035 STEEL  
3,000 LBS CAPACITY

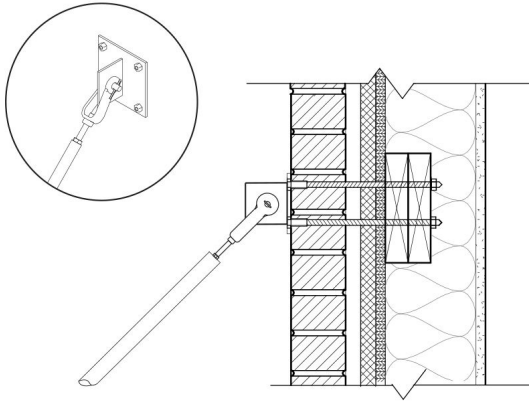


3/8 EYE NUTE  
C 1045 STEEL  
2,700 LBS CAPACITY

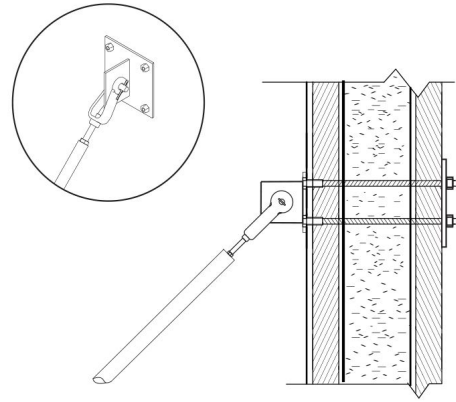


# HANGER ROD CANOPY

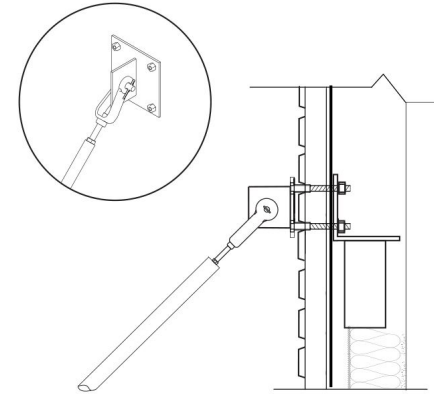
## WALL ATTACHMENTS



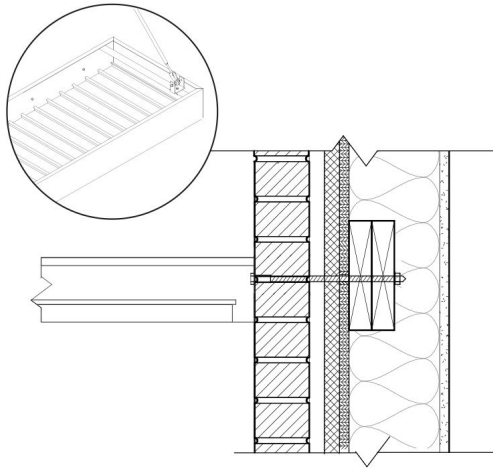
BRICK/BLOCK WITH THRU BOLTS  
AND COMPRESSION SLEEVES



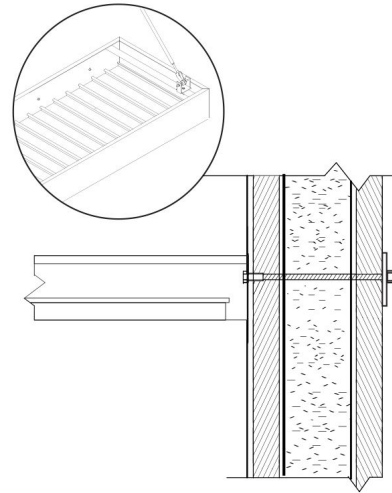
CMU WITH THRU BOLT



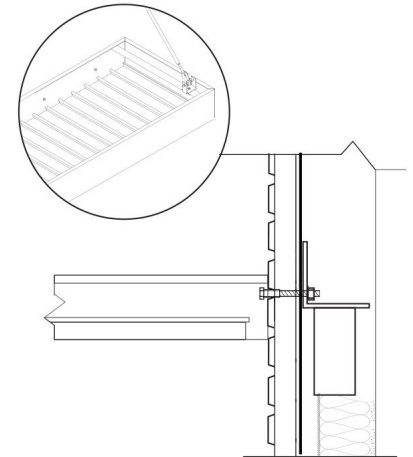
METAL BUILDING



BRICK/BLOCK WITH THRU BOLTS  
AND COMPRESSION SLEEVES



CMU WITH THRU BOLT



METAL BUILDING

PROJECT: \_\_\_\_\_  
 LOCATION: \_\_\_\_\_  
 PROJECT MANAGER: \_\_\_\_\_  
 PROPOSED: \_\_\_\_\_

DATE: \_\_\_\_\_  
 DESIGNER: \_\_\_\_\_  
 ENGINEER: \_\_\_\_\_  
 FILE FOLDER: \_\_\_\_\_  
 PAGE OF \_\_\_\_\_

CANOPY TYPE DETAILS

\_\_\_\_\_  
 \_\_\_\_\_  
 \_\_\_\_\_

APPROVED   
 APPROVED WITH CORRECTIONS   
 NOT APPROVED RESUBMIT

SIGNATURE: \_\_\_\_\_