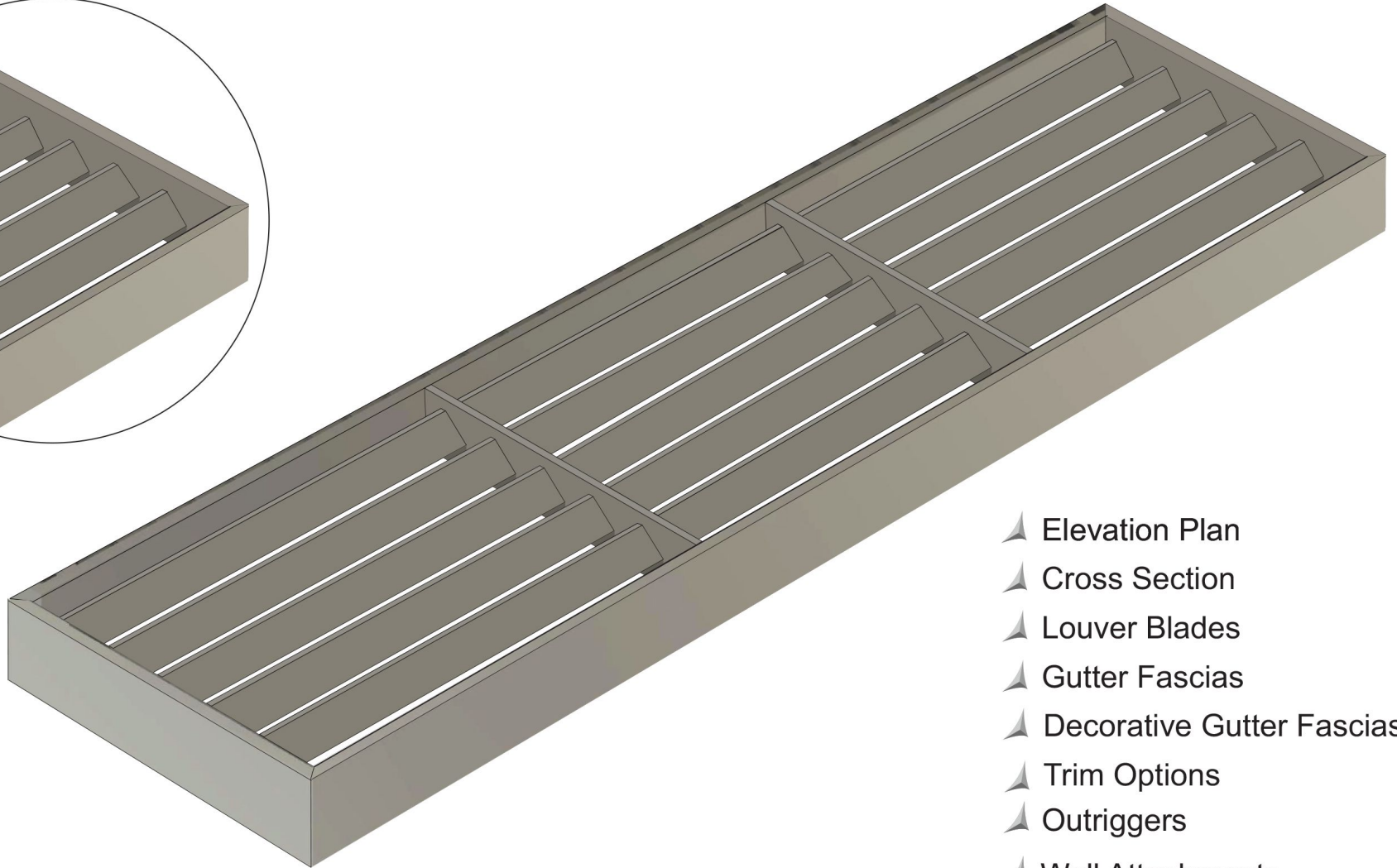
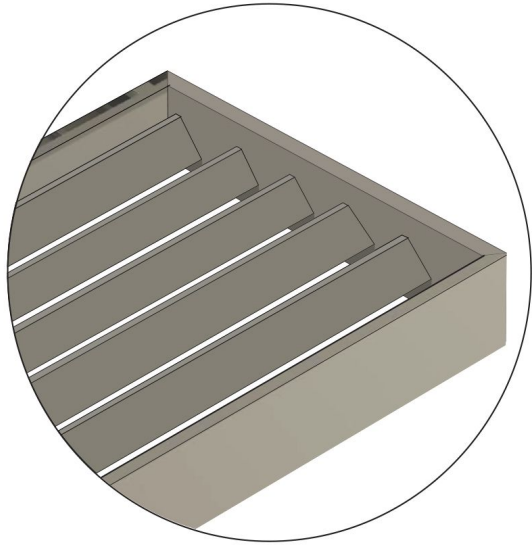


# COLUMBUS AWNING SUN SHADE CANOPY SYSTEM



- ▲ Elevation Plan
- ▲ Cross Section
- ▲ Louver Blades
- ▲ Gutter Fascias
- ▲ Decorative Gutter Fascias
- ▲ Trim Options
- ▲ Outriggers
- ▲ Wall Attachments
  - Cantilever
  - Hanging Rod
  - Arm Support

PROJECT: \_\_\_\_\_  
 LOCATION: \_\_\_\_\_  
 PROJECT MANAGER: \_\_\_\_\_  
 PROPOSED: \_\_\_\_\_

DATE: \_\_\_\_\_  
 DESIGNER: \_\_\_\_\_  
 ENGINEER: \_\_\_\_\_  
 FILE FOLDER: \_\_\_\_\_  
 PAGE OF \_\_\_\_\_

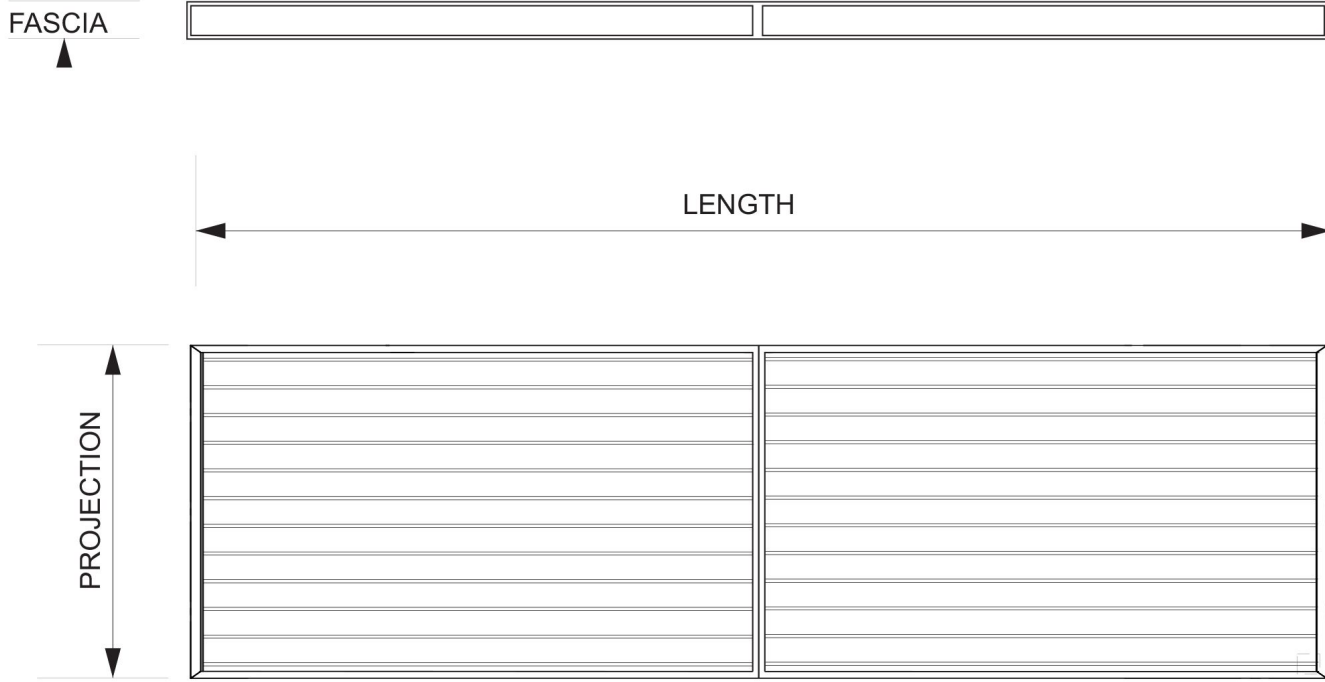
CANOPY TYPE DETAILS

\_\_\_\_\_

\_\_\_\_\_

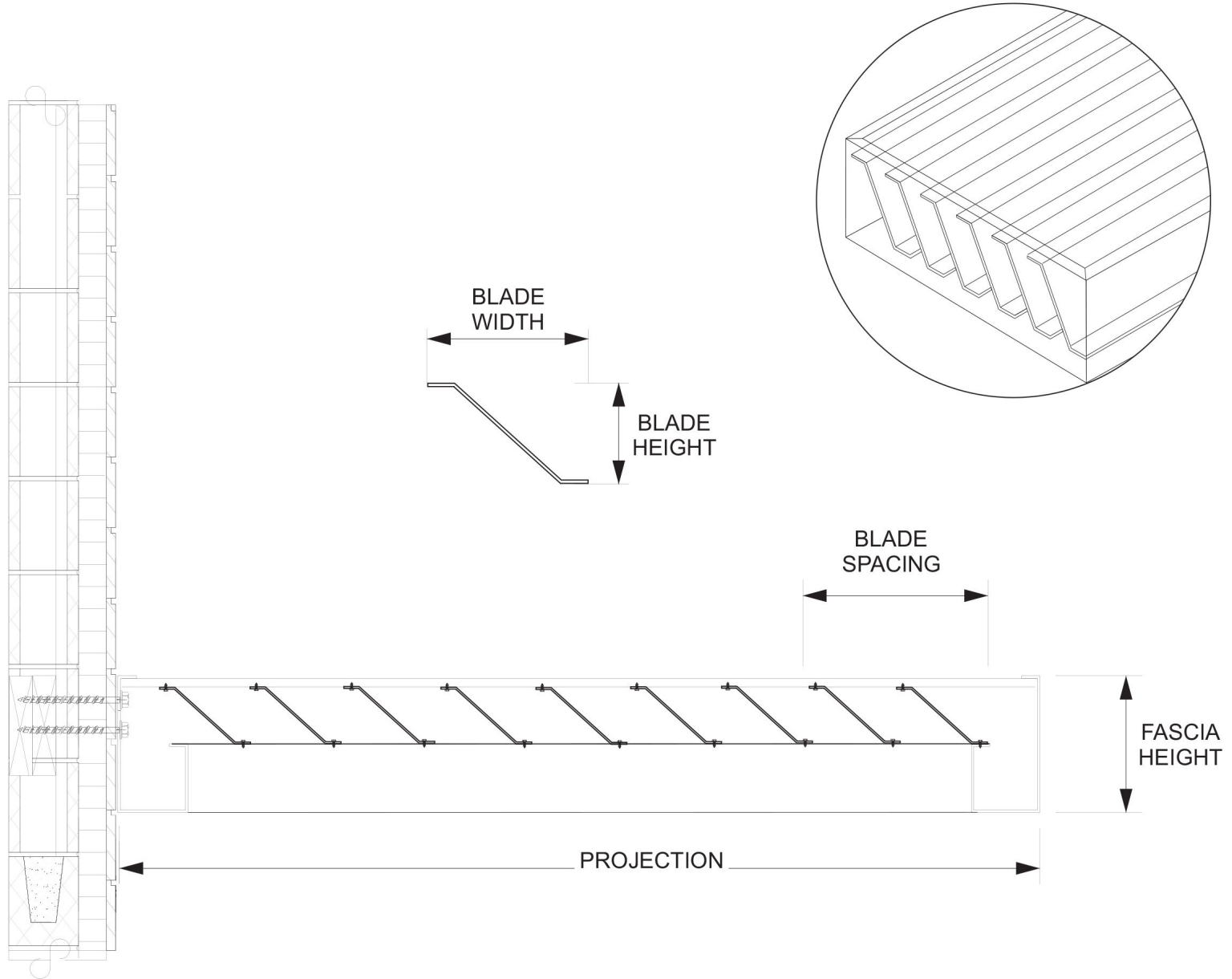
\_\_\_\_\_

APPROVED   
 APPROVED WITH CORRECTIONS   
 NOT APPROVED RESUBMIT   
 SIGNATURE: \_\_\_\_\_



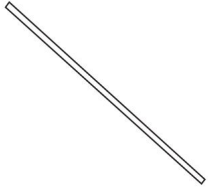
PROJECT: _____ LOCATION: _____	DATE: _____ DESIGNER: _____ ENGINEER: _____	CANOPY TYPE DETAILS _____ _____ _____	APPROVED <input type="checkbox"/> APPROVED WITH CORRECTIONS <input type="checkbox"/> NOT APPROVED RESUBMIT <input type="checkbox"/>
PROJECT MANAGER: _____ PROPOSED: _____	FILE FOLDER: _____ PAGE OF _____	_____ _____ _____	SIGNATURE: _____

**SUN SHADE CANOPY**  
CROSS SECTION



<p>PROJECT: _____ LOCATION: _____</p>	<p>DATE: _____ DESIGNER: _____ ENGINEER: _____</p>	<p>CANOPY TYPE DETAILS _____ _____ _____</p>	<p>APPROVED <input type="checkbox"/> APPROVED WITH CORRECTIONS <input type="checkbox"/> NOT APPROVED RESUBMIT <input type="checkbox"/></p>
<p>PROJECT MANAGER: _____ PROPOSED: _____</p>	<p>FILE FOLDER: _____ PAGE OF _____</p>	<p>_____ _____ _____</p>	<p>SIGNATURE: _____</p>

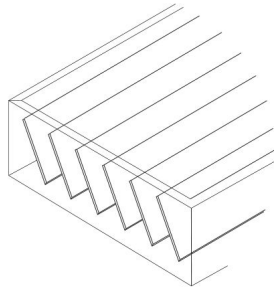
**FLAT STANDARD LOUVER BLADE**



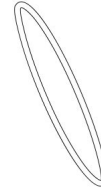
**SIZES**

- 4"
- 6"
- 8"
- 10"

Wall .125



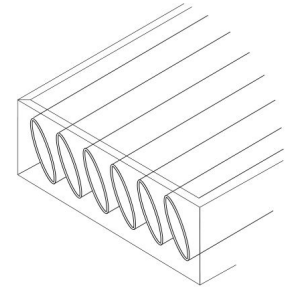
**AIRFOIL LOUVER BLADE**



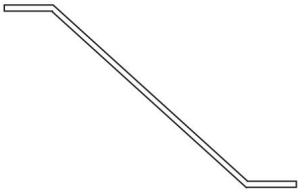
**SIZES**

- 4"
- 6"
- 8"
- 10"

Wall .085/.110



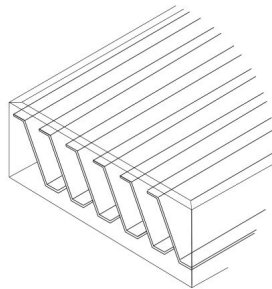
**Z-LOUVER BLADE**



**SIZES**

- 4"
- 6"
- 8"
- 10"

Wall .125



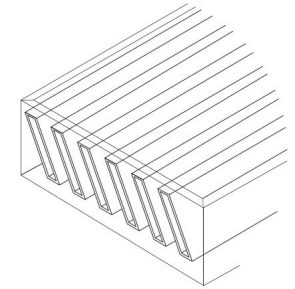
**TUBE LOUVER BLADE**



**SIZES**

- 4"
- 6"
- 8"
- 10"

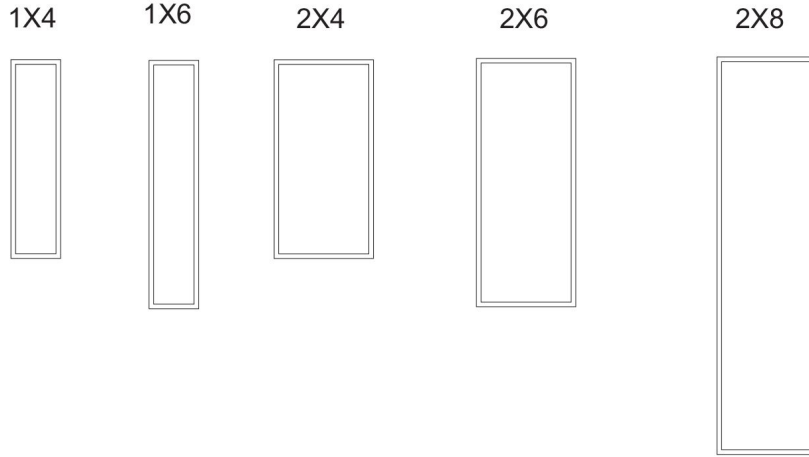
Wall .125



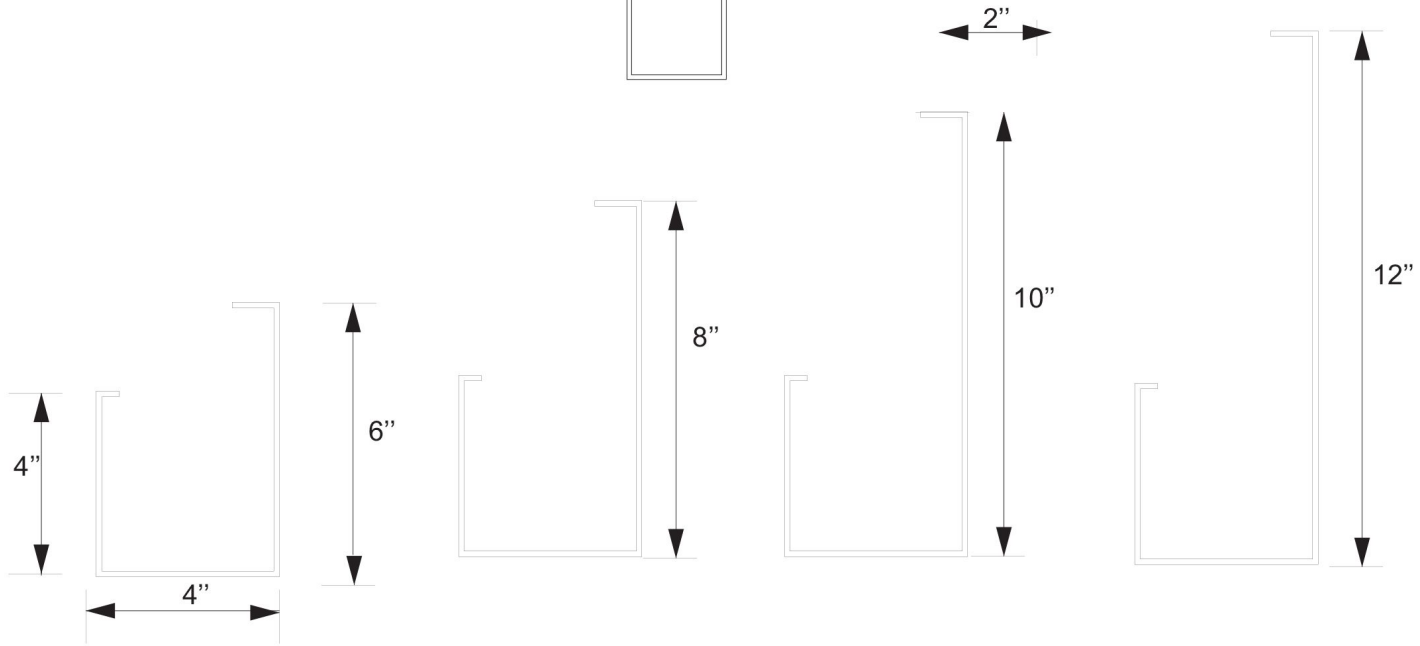
OTHER OPTIONS AVAILABLE

PROJECT: _____ LOCATION: _____ PROJECT MANAGER: _____ PROPOSED: _____	DATE: _____ DESIGNER: _____ ENGINEER: _____ FILE FOLDER: _____ PAGE OF _____	CANOPY TYPE DETAILS _____ _____ _____	APPROVED <input type="checkbox"/> APPROVED WITH CORRECTIONS <input type="checkbox"/> NOT APPROVED RESUBMIT <input type="checkbox"/> SIGNATURE: _____
--	--	--	---

RECTANGULAR TUBE



GUTTER/FASCIA



PROJECT: \_\_\_\_\_  
LOCATION: \_\_\_\_\_  
  
PROJECT MANAGER: \_\_\_\_\_  
PROPOSED: \_\_\_\_\_

DATE: \_\_\_\_\_  
DESIGNER: \_\_\_\_\_  
ENGINEER: \_\_\_\_\_  
FILE FOLDER: \_\_\_\_\_  
PAGE OF \_\_\_\_\_

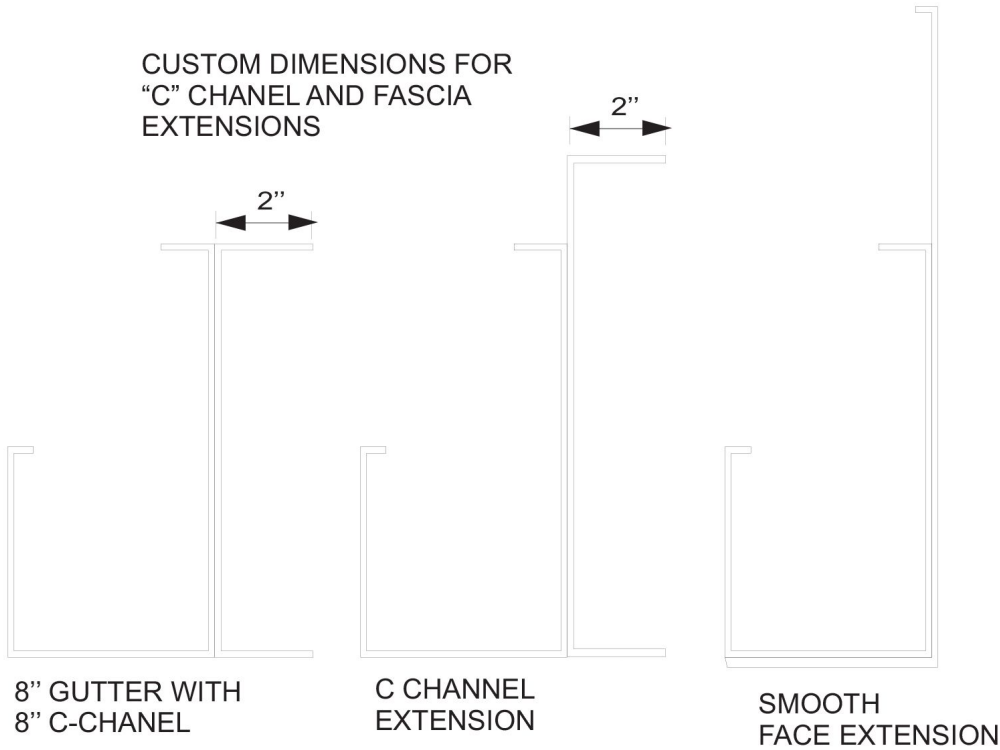
CANOPY TYPE DETAILS

\_\_\_\_\_  
\_\_\_\_\_  
\_\_\_\_\_  
\_\_\_\_\_

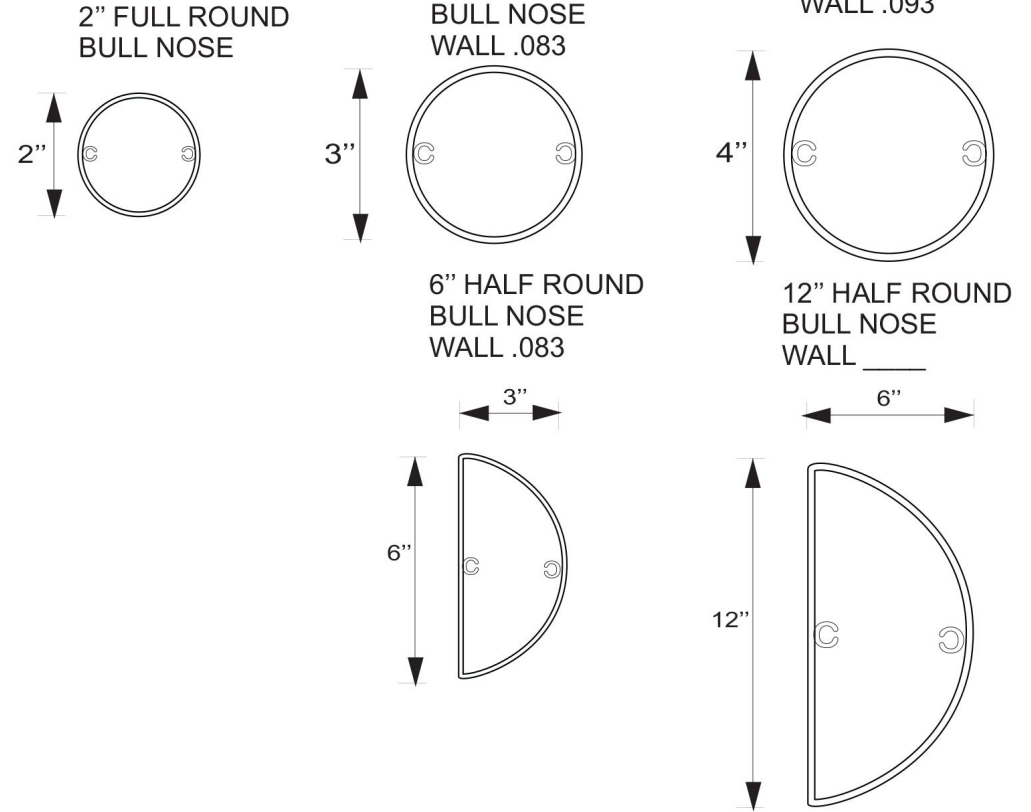
APPROVED   
APPROVED WITH CORRECTIONS   
NOT APPROVED RESUBMIT

SIGNATURE: \_\_\_\_\_

CUSTOM DIMENSIONS FOR  
"C" CHANNEL AND FASCIA  
EXTENSIONS

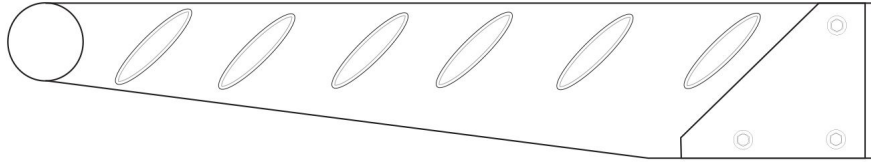


**BULL NOSE**

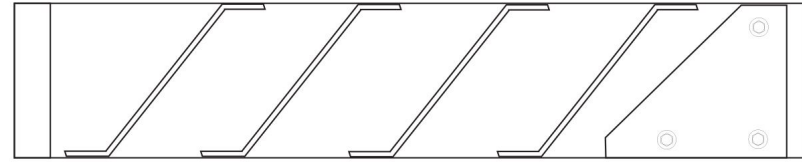


<p>PROJECT: _____</p> <p>LOCATION: _____</p> <p>PROJECT MANAGER: _____</p> <p>PROPOSED: _____</p>	<p>DATE: _____</p> <p>DESIGNER: _____</p> <p>ENGINEER: _____</p> <p>FILE FOLDER: _____</p> <p>PAGE OF _____</p>	<p>CANOPY TYPE DETAILS</p> <p>_____</p> <p>_____</p> <p>_____</p>	<p>APPROVED <input type="checkbox"/></p> <p>APPROVED WITH CORRECTIONS <input type="checkbox"/></p> <p>NOT APPROVED RESUBMIT <input type="checkbox"/></p> <p>SIGNATURE: _____</p>
---	---	---	--

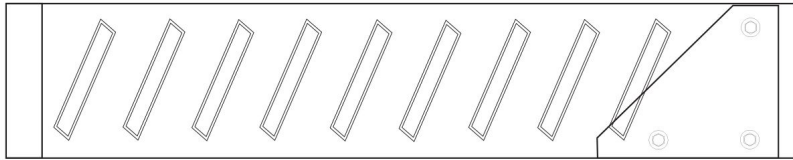
**TAPERED**



**FLAT HORIZONTAL**



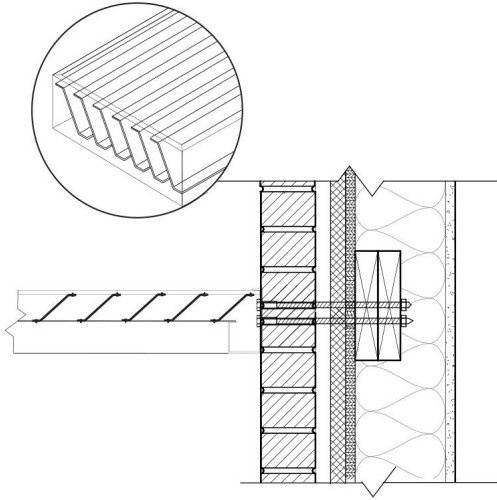
**FLAT HORIZONTAL**



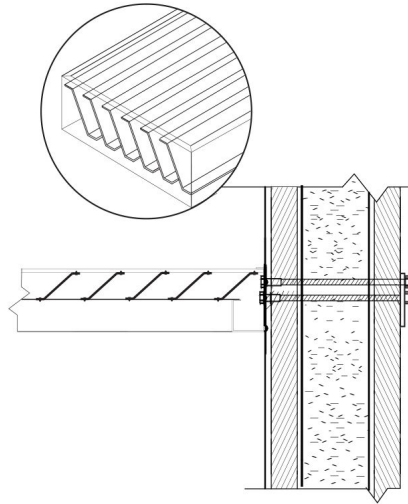
OTHER OPTIONS AVAILABLE

PROJECT: _____ LOCATION: _____ PROJECT MANAGER: _____ PROPOSED: _____	DATE: _____ DESIGNER: _____ ENGINEER: _____ FILE FOLDER: _____ PAGE OF _____	<b>CANOPY TYPE DETAILS</b> _____ _____ _____ _____	APPROVED <input type="checkbox"/> APPROVED WITH CORRECTIONS <input type="checkbox"/> NOT APPROVED RESUBMIT <input type="checkbox"/> SIGNATURE: _____
--	--	--	---

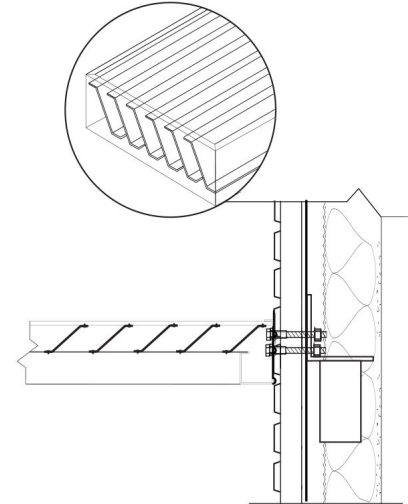
**SUN SHADE HANGER ROD and CANTILEVER OPTIONS**  
WALL ATTACHMENTS



BRICK/BLOCK WITH THRU BOLTS AND COMPRESSION SLEEVES

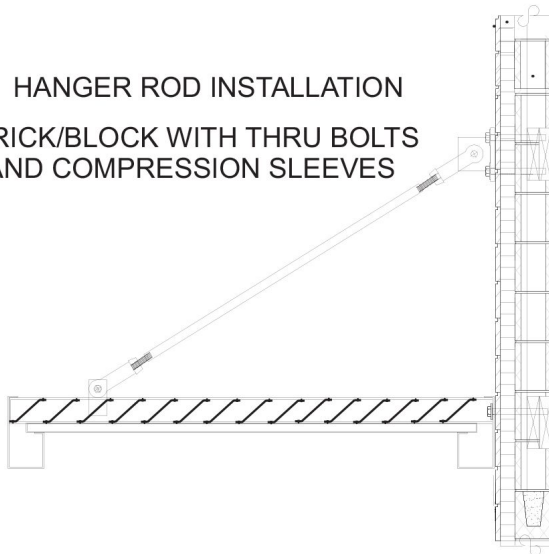
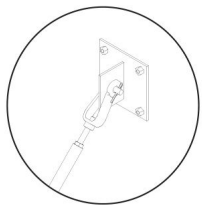


CMU WITH THRU BOLT

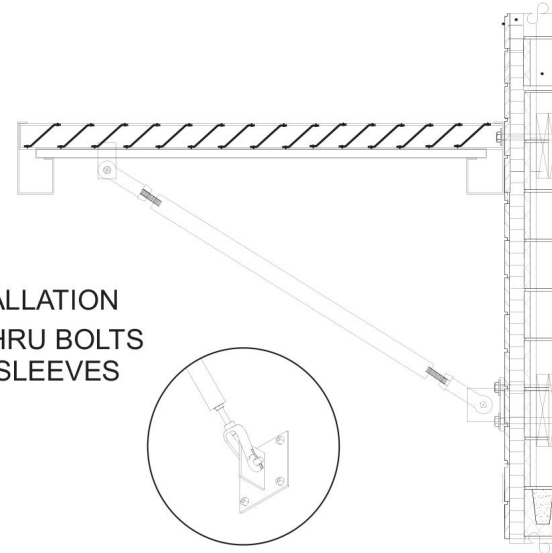
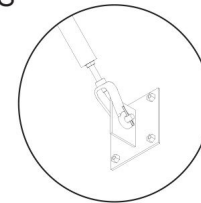


METAL BUILDING

HANGER ROD INSTALLATION  
BRICK/BLOCK WITH THRU BOLTS AND COMPRESSION SLEEVES



SUPPORT ARM INSTALLATION  
BRICK/BLOCK WITH THRU BOLTS AND COMPRESSION SLEEVES



PROJECT: \_\_\_\_\_  
LOCATION: \_\_\_\_\_  
PROJECT MANAGER: \_\_\_\_\_  
PROPOSED: \_\_\_\_\_

DATE: \_\_\_\_\_  
DESIGNER: \_\_\_\_\_  
ENGINEER: \_\_\_\_\_  
FILE FOLDER: \_\_\_\_\_  
PAGE OF \_\_\_\_\_

CANOPY TYPE DETAILS

\_\_\_\_\_  
\_\_\_\_\_  
\_\_\_\_\_  
\_\_\_\_\_

APPROVED   
APPROVED WITH CORRECTIONS   
NOT APPROVED RESUBMIT

SIGNATURE: \_\_\_\_\_