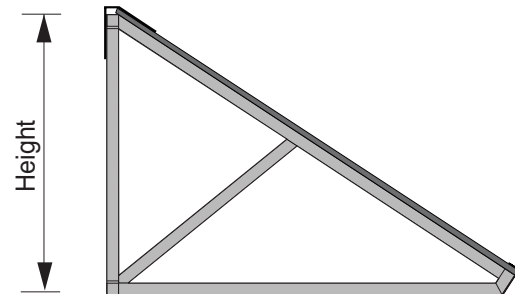
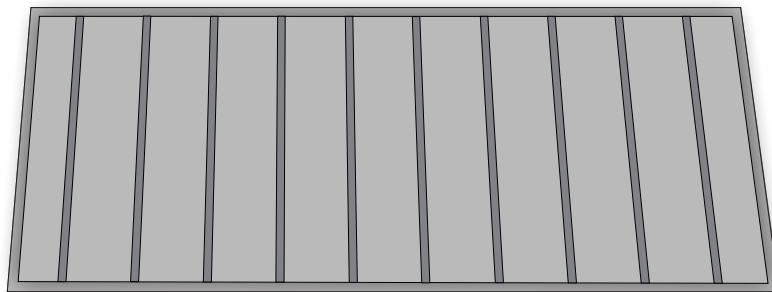
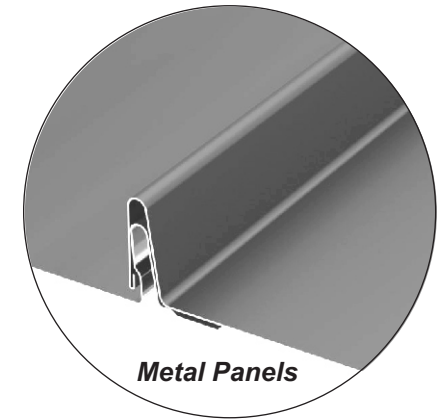
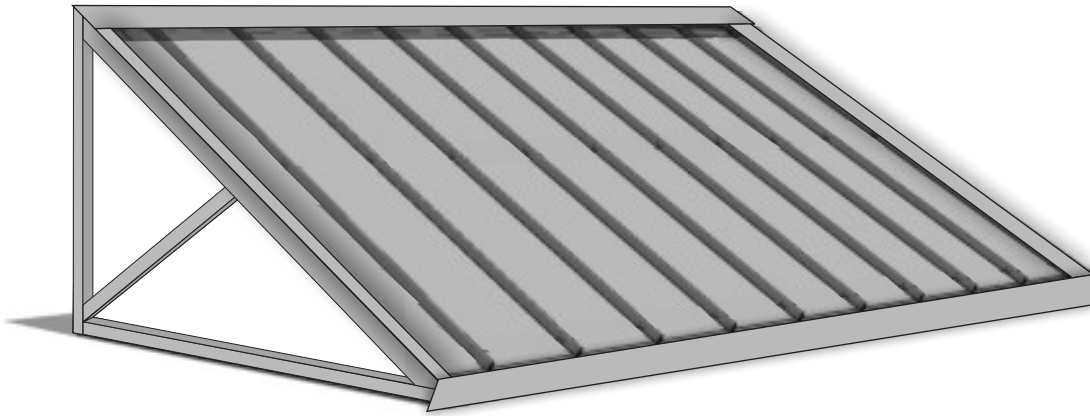


▲ COLUMBUS AWNING TREELINE STANDING SEAM AWNING SYSTEM



- ▲ Elevation Plan
- ▲ Cross Section
- ▲ Metal Panels
- ▲ Components
- ▲ Wall Attachments



297 OLD COUNTY LINE RD
WESTERVILLE, OHIO
43081



614-426-4206

www.columbusawningcompany.com

PROJECT: _____
 LOCATION: _____
 PROJECT MANAGER: _____
 PROPOSED: _____

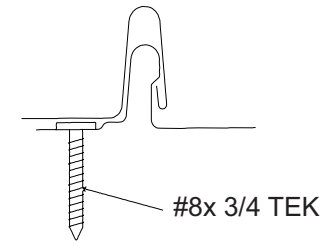
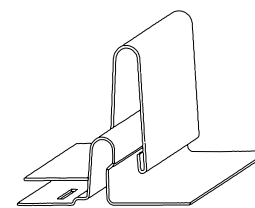
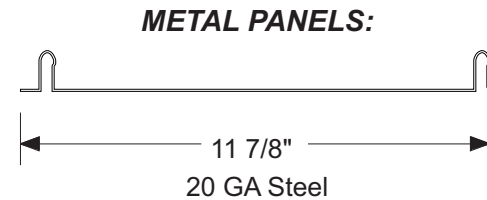
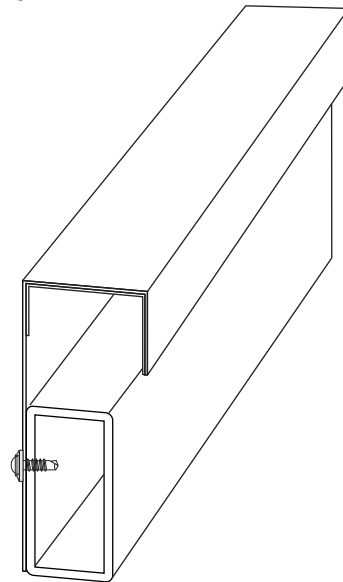
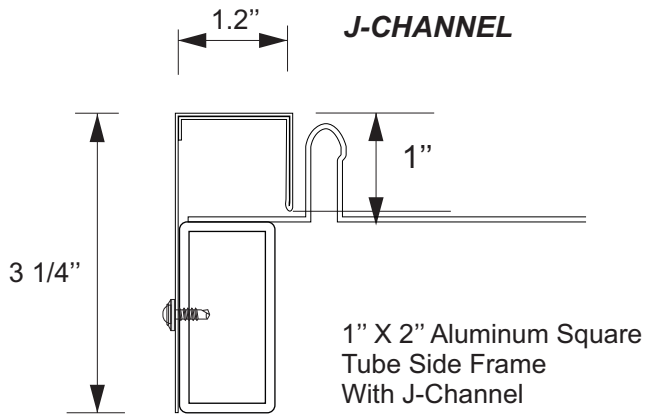
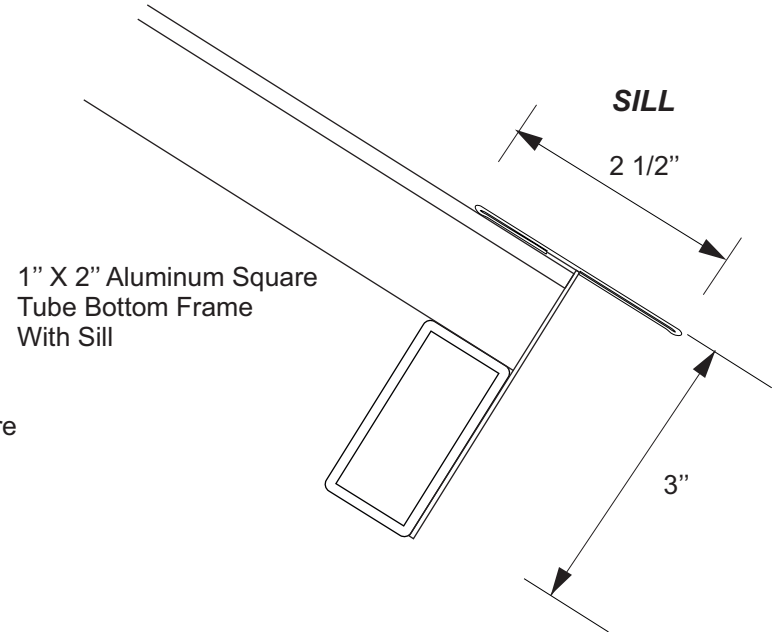
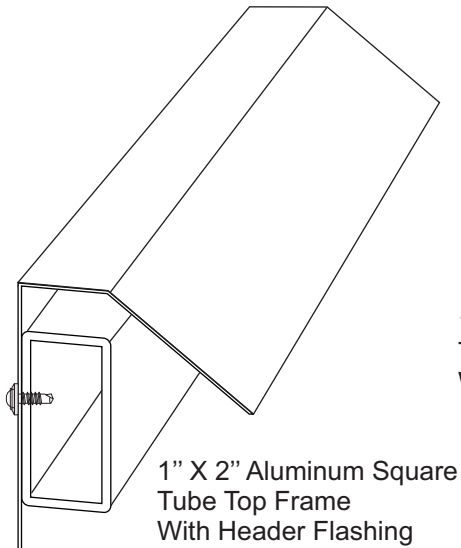
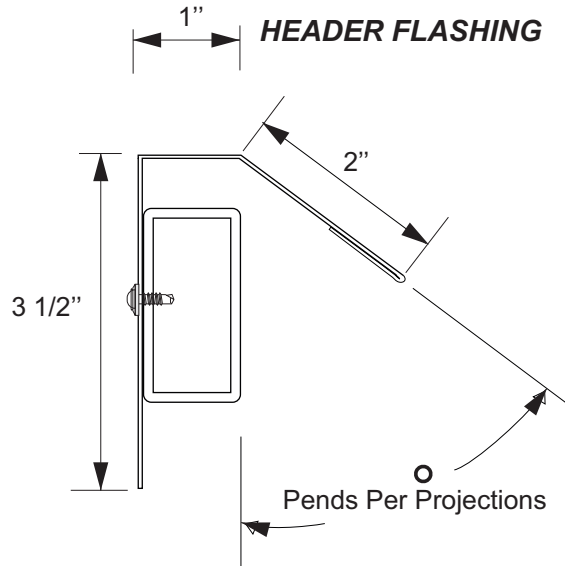
DATE: _____
 DESIGNER: _____
 ENGINEER: _____
 FILE FOLDER: _____
 PAGE OF _____

CANOPY TYPE DETAILS

APPROVED
 APPROVED WITH CORRECTIONS
 NOT APPROVED RESUBMIT

SIGNATURE: _____

COLUMBUS AWNING TREELINE STANDING SEAM AWNING SYSTEM COMPONENTS



297 OLD COUNTY LINE RD
WESTERVILLE, OHIO
43081



614-426-4206

www.columbusawningcompany.com

PROJECT: _____
LOCATION: _____

PROJECT MANAGER: _____
PROPOSED: _____

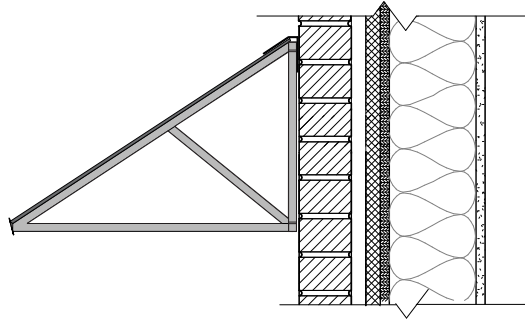
DATE: _____
DESIGNER: _____
ENGINEER: _____
FILE FOLDER: _____
PAGE OF _____

CANOPY TYPE DETAILS

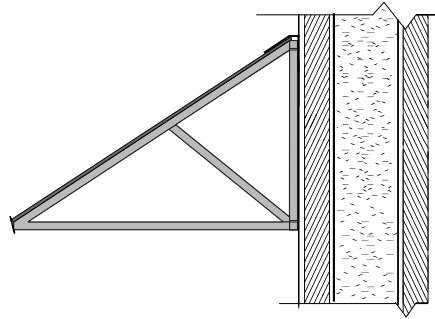
APPROVED
APPROVED WITH CORRECTIONS
NOT APPROVED RESUBMIT

SIGNATURE: _____

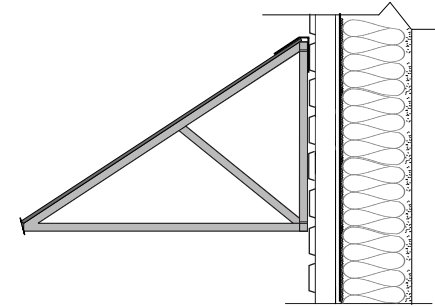
**COLUMBUS AWNING TREELINE STANDING SEAM AWNING SYSTEM
WALL ATTACHMENTS**



BRICK/BLOCK

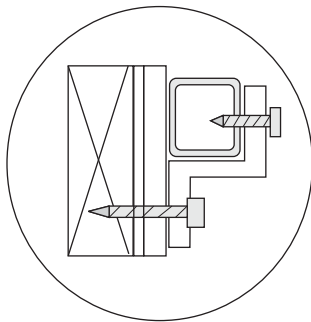


CMU WITH THRU BOLT



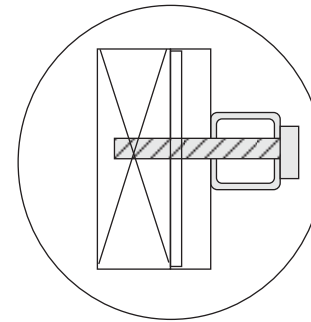
METAL BUILDING

TOP OF AWNING INSTALLATION



- Aluminum Frame
- 3/4" X #12 Tek Screws
- Efis Brackets
- 3/8" x 4" Wood Lags

BOTTOM OF AWNING INSTALLATION



- Aluminum Frame
- #12 Tek Screws

PROJECT: _____
LOCATION: _____

PROJECT MANAGER: _____
PROPOSED: _____

DATE: _____
DESIGNER: _____
ENGINEER: _____
FILE FOLDER: _____
PAGE OF _____

CANOPY TYPE DETAILS

APPROVED
APPROVED WITH CORRECTIONS
NOT APPROVED RESUBMIT

SIGNATURE: _____